

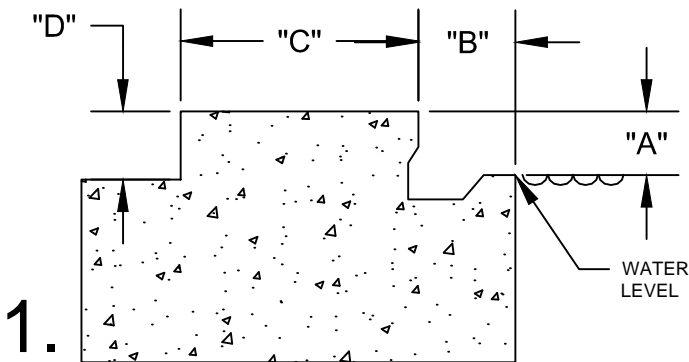


POOL GUTTER CONFIGURATION WORKSHEET

Thank you for taking the time to fill out the **Kiefer Pool Gutter Configuration Worksheet**. This document helps us get a better understanding for your very unique pool. Here at **Kiefer**, we realize that your pool environment is in some way different than any other pool that exists. As a result, we custom build each and every one of our Starting Blocks to match the conditions described on this form. We will try to get the most accurate information possible by asking you to take a series of measurements.

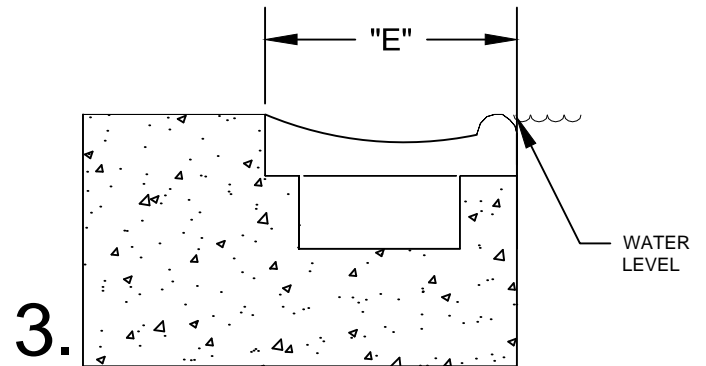
There are (4) common Pool Gutter Styles that are prevalently used. Please select one from the following diagram that best represents your pool. If you feel that your gutter isn't accurately represented from these choices, please take this opportunity to take a photo of it.

GUTTER # _____



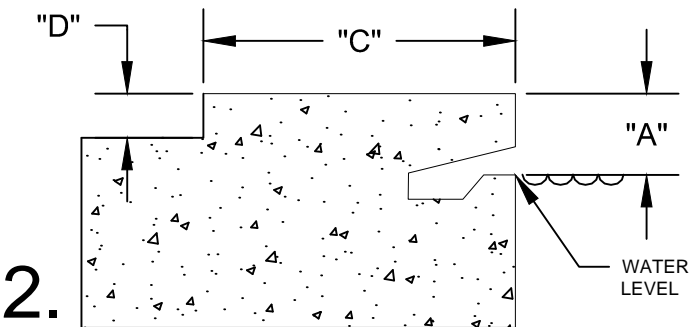
1.

(GO TO PAGE 2)



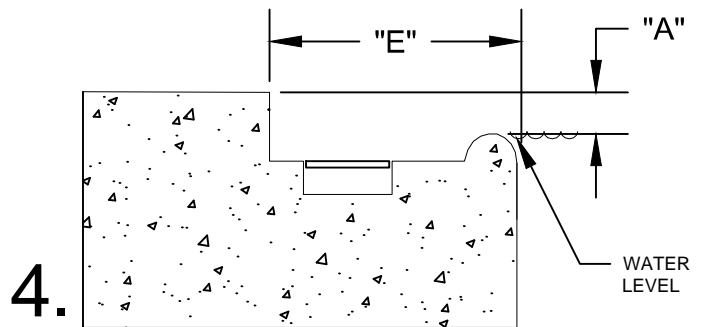
3.

(GO TO PAGE 4)



2.

(GO TO PAGE 3)



4.

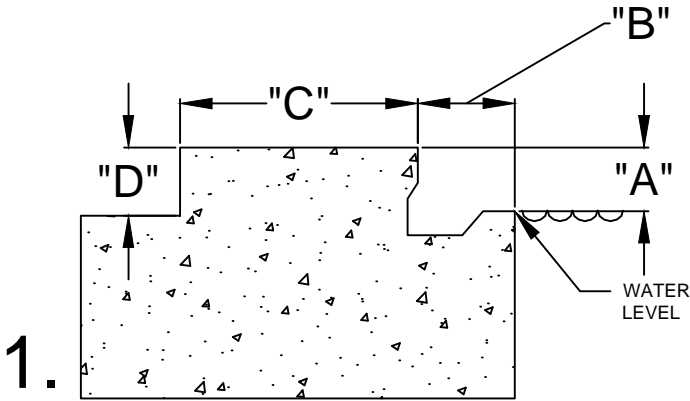
(GO TO PAGE 5)





POOL GUTTER CONFIGURATION WORKSHEET

GUTTER TYPE 1.



" A " _____

" B " _____

" C " _____

" D " _____

NOTE: IF "C" SECTION IS SLOPED, SEE MEASUREMENT FORM BELOW FOR ADDITIONAL REQUIRED MEASUREMENTS.

IF THERE ARE ANY OBSTRUCTIONS IN THE MEASURING AREA INCLUDING (BUT NOT LIMITED TO): EXISTING ANCHORS, TIMING SYSTEM PLATES, TRENCH DRAINS, GUTTERS, ETC...PLEASE MAKE NOTE OF THEIR PLACEMENT WITH MEASUREMENTS IN "SPECIAL NOTES".

SPECIAL NOTES : _____

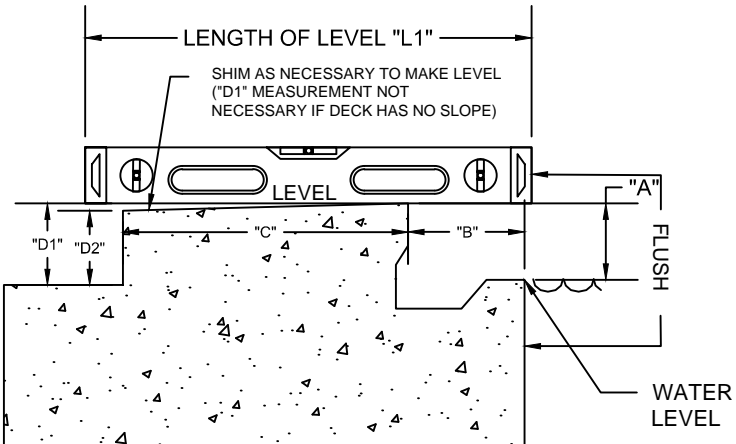
MEASURING DECK SLOPE

"L1 " _____

"D1 " _____

" D2 " _____

NOTES: _____



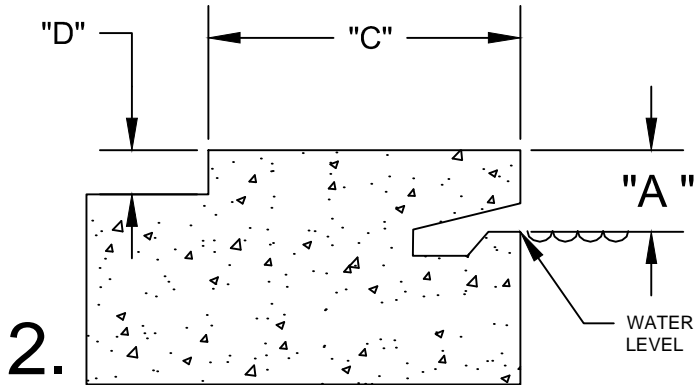
NOTE: DECK SLOPE CAN BE TOWARDS OR AWAY FROM POOL MEASURE AND SHIM AS NECESSARY





POOL GUTTER CONFIGURATION WORKSHEET

GUTTER TYPE 2.



" A " _____

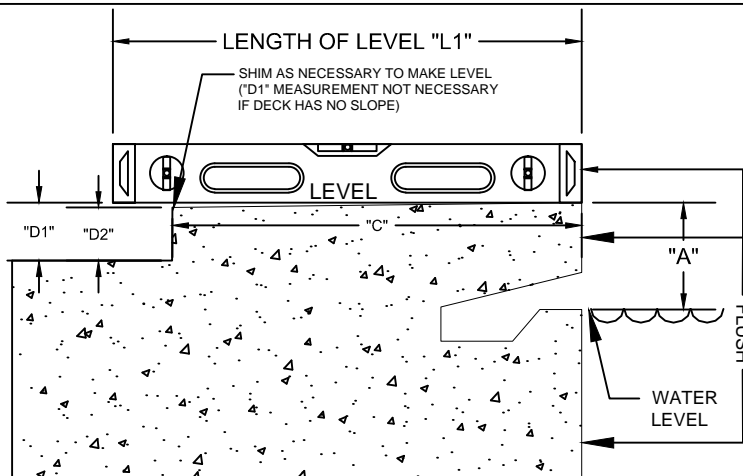
" C " _____

" D " _____

NOTE: IF "C" SECTION IS SLOPED, SEE MEASUREMENT FORM BELOW FOR ADDITIONAL REQUIRED MEASUREMENTS.

IF THERE ARE ANY OBSTRUCTIONS IN THE MEASURING AREA INCLUDING (BUT NOT LIMITED TO): EXISTING ANCHORS, TIMING SYSTEM PLATES, TRENCH DRAINS, GUTTERS, ETC...PLEASE MAKE NOTE OF THEIR PLACEMENT WITH MEASUREMENTS IN "SPECIAL NOTES".

SPECIAL NOTES : _____



MEASURING DECK SLOPE

" L1 " _____

" D1 " _____

" D2 " _____

NOTES: _____

NOTE: DECK SLOPE CAN BE TOWARDS OR AWAY FROM POOL MEASURE AND SHIM AS NECESSARY

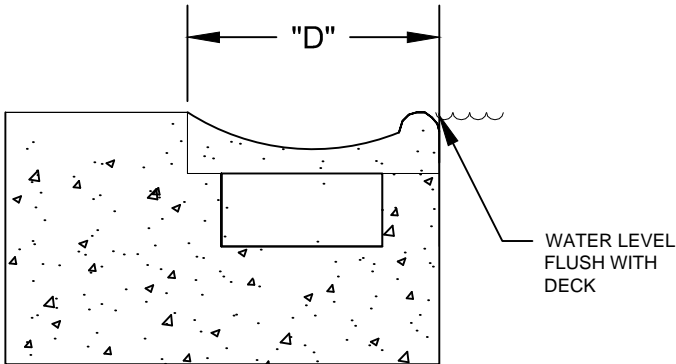




POOL GUTTER CONFIGURATION WORKSHEET

GUTTER TYPE 3.

3.

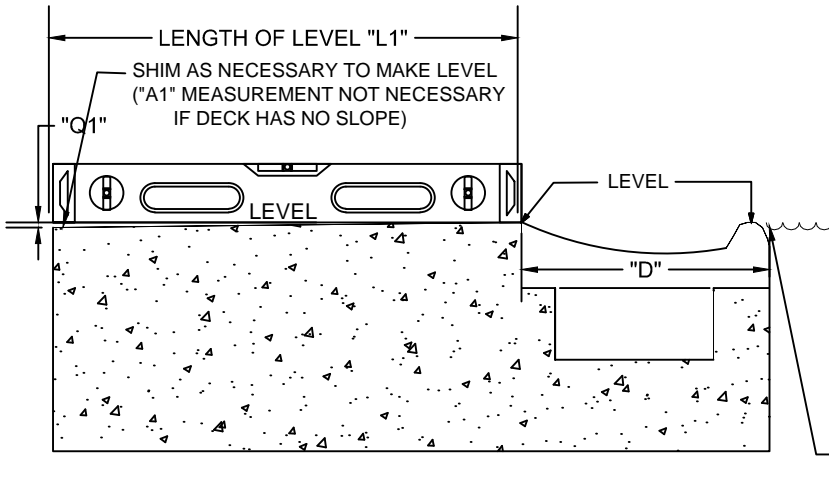


NOTE: IF "C" SECTION IS SLOPED, SEE MEASUREMENT FORM BELOW FOR ADDITIONAL REQUIRED MEASUREMENTS.

" D " _____

IF THERE ARE ANY OBSTRUCTIONS IN THE MEASURING AREA INCLUDING (BUT NOT LIMITED TO): EXISTING ANCHORS, TIMING SYSTEM PLATES, TRENCH DRAINS, GUTTERS, ETC...PLEASE MAKE NOTE OF THEIR PLACEMENT WITH MEASUREMENTS IN "SPECIAL NOTES".

SPECIAL NOTES : _____



MEASURING DECK SLOPE

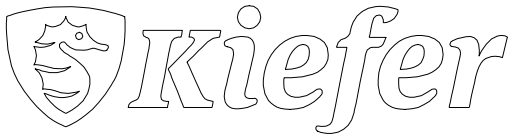
" L1 " _____

" Q1 " _____

NOTES: _____

NOTE: DECK SLOPE CAN BE TOWARDS OR AWAY FROM POOL MEASURE AND SHIM AS NECESSARY

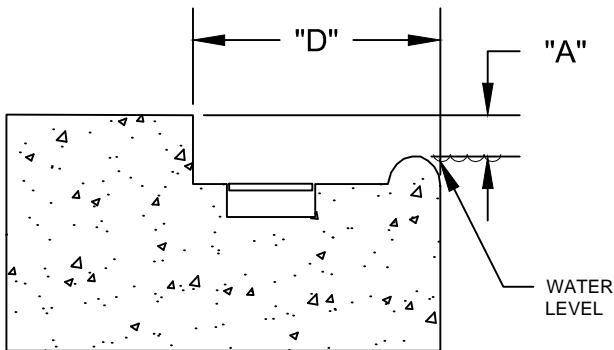




POOL GUTTER CONFIGURATION WORKSHEET

GUTTER TYPE 4.

4.



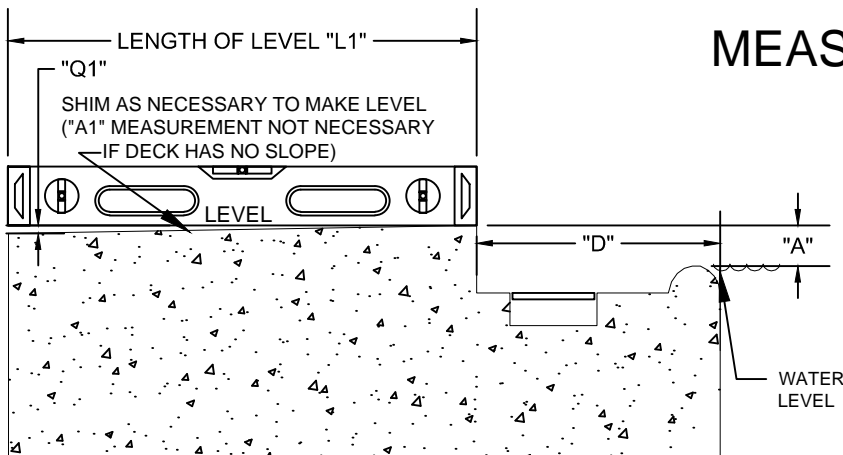
" A " _____

" D " _____

NOTE: IF "C" SECTION IS SLOPED, SEE MEASUREMENT FORM BELOW FOR ADDITIONAL REQUIRED MEASUREMENTS.

IF THERE ARE ANY OBSTRUCTIONS IN THE MEASURING AREA INCLUDING (BUT NOT LIMITED TO): EXISTING ANCHORS, TIMING SYSTEM PLATES, TRENCH DRAINS, GUTTERS, ETC...PLEASE MAKE NOTE OF THEIR PLACEMENT WITH MEASUREMENTS IN "SPECIAL NOTES".

SPECIAL NOTES : _____



MEASURING DECK SLOPE

" L1 " _____

" Q1 " _____

NOTES: _____

NOTE: DECK SLOPE CAN BE TOWARDS OR AWAY FROM POOL MEASURE AND SHIM AS NECESSARY

