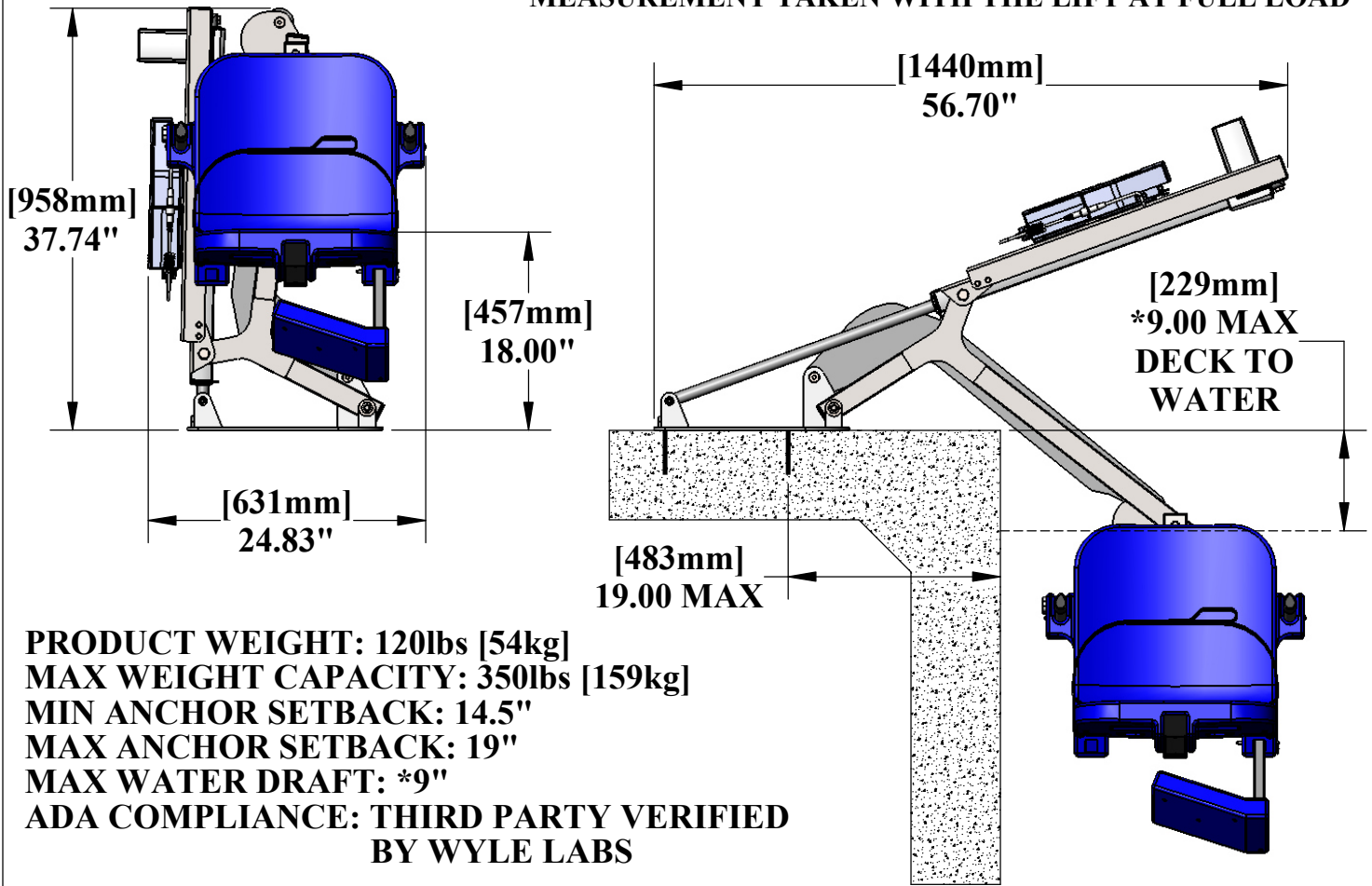


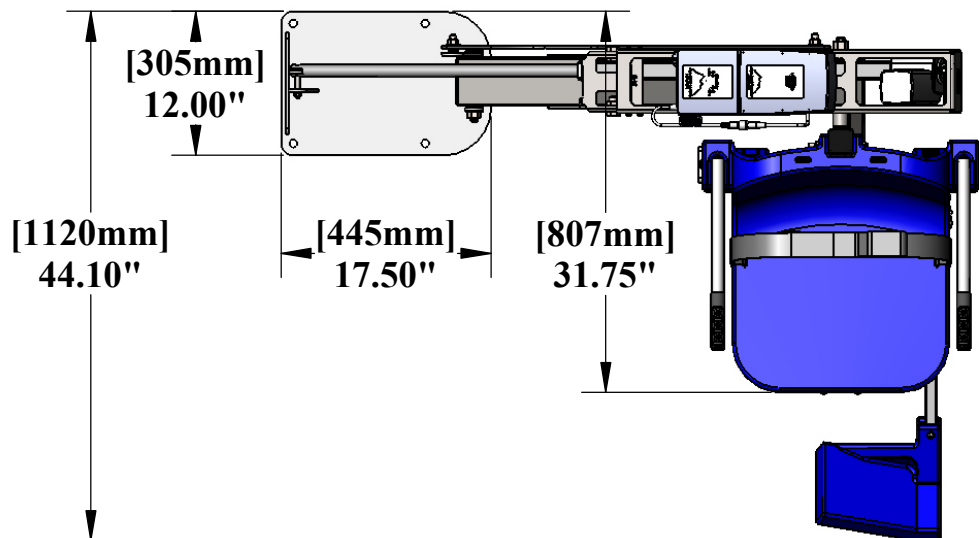
# RANGER AT POOL LIFT

US PATENT NO'S: [7,249,386 B2] [D507,769 S]

\*MEASUREMENT TAKEN WITH THE LIFT AT FULL LOAD\*



**PRODUCT WEIGHT: 120lbs [54kg]**  
**MAX WEIGHT CAPACITY: 350lbs [159kg]**  
**MIN ANCHOR SETBACK: 14.5"**  
**MAX ANCHOR SETBACK: 19"**  
**MAX WATER DRAFT: \*9"**  
**ADA COMPLIANCE: THIRD PARTY VERIFIED  
 BY WYLE LABS**



Inspected And Verified To Meet  
 Applicable Sections of ADA  
 Guidelines Section 1009.2 By

**wyle**  
 laboratories

A Registered ISO 9001  
 Laboratory



9889 GARRYMORE LANE  
 MISSOULA, MT 59808  
 (406) 549-0769  
 FAX (406) 549-2602

NOTE:  
 \*SPECIFICATIONS ARE SUBJECT TO CHANGE WITHOUT NOTICE

PRODUCT:	F-411RPL-AT1	
DWG #:	1 OF 1	
SCALE:	1:16	DATE: 12/9/2016
DRAWN BY:	EF	REVISION: A